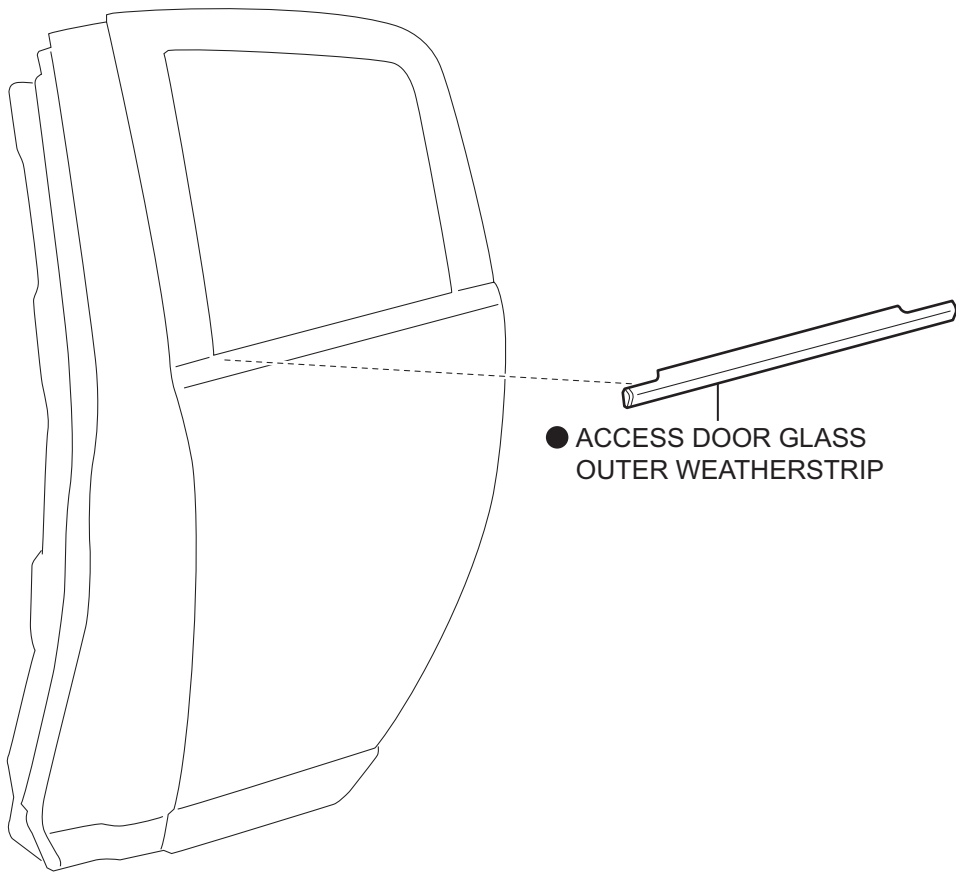


ACCESS DOOR GLASS WEATHERSTRIP

COMPONENTS



● ACCESS DOOR GLASS
OUTER WEATHERSTRIP

● Non-reusable part

Y

ET

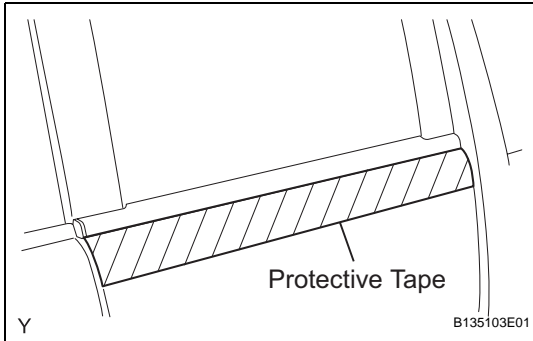
REMOVAL

HINT:

The procedure described below is for the LH side. Use the same procedure for both the RH and LH sides, unless otherwise specified.

1. REMOVE ACCESS DOOR GLASS OUTER WEATHERSTRIP

- (a) Apply protective tape to the rear door panel in the area around the access door glass outer weatherstrip.



- (b) Using a moulding remover, disengage the 3 clips and remove the access door glass outer weatherstrip.

